

L550-864/865

FAA Type L-864/865 Red/White Dual LED
Medium Intensity Obstruction Light

TWR

Enlightened Technology



Industries: Broadcast, Telecom, Utilities

GENERAL SPECIFICATIONS

Operating Voltage	120-230 VAC
Frequency	50-60 Hz
Overtoltage Protection	Built in, designed to meet: Class III according to IEC61643-1, Class D
Beacon Dimensions (LxWxH)	20.1 x 20.1 x 9.5 in. (510 x 510 x 240 mm)
Beacon Weight	26.5 lbs. (12 kg)
Controller Dimensions (LxWxH)	15.46 x 13.15 x 6.25 in. (393 x 334 x 159 mm)
Controller Weight	13.5 lbs. (6 kg)
Protection Rating	IP65/NEMA 4
Operating Temperature Range	-67°F to 130°F (-55°C to 55°C)

	Power Consumption	Flash Rate	Flash Intensity	
L-864	Night (Red) <17W	30FPM	2,000	CD ± 25%
L-865	Day (White) <36W	40FPM	20,000	CD ± 25%
	Night (White) <14W	40FPM	2,000	CD ± 25%

The L550-864/865 is a medium intensity flashing red/white dual LED obstruction beacon designed for reliable day and night time marking of structures that represent a hazard to aviation. It incorporates the benefits of advanced LED and control to meet the challenges of the most demanding applications.

The L550-864/865 features optional GPS and monitoring functionality, making it a versatile beacon for use across multiple industries. Its light physical weight and single cable, single controller design makes it ideal for structures that may require multiple flashing red and white beacons.

STANDARD FEATURES

- Single cable, single controller design
- Built in beacon surge protection
- Built in RF protection cable shielding & branded gasket
- Switch mode power supply
- 95% lens efficiency
- Thermal regulation of LED lens
- 15 year field proven technology
- 20 year life design
- 5 year warranty

OPTIONAL FEATURES

- Internal GPS flash synchronization to operate in uni-son between multiple obstruction lights
- Infra-red output at 850nm
- Wireless or TCP/IP monitoring for beacon failure, heartbeat (active confirmation), power and photocell functionality

STANDARDS/CERTIFICATION

- United States: FAA AC 70/7460-1L
- Canada: CAR 621
- Mexico: DGAC
- International: ICAO Annex 14

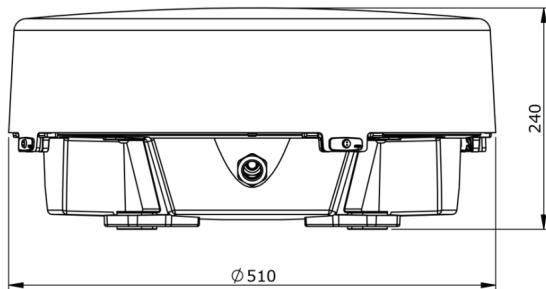
L550-864/865

FAA Type L-864/865 Red/White Dual LED
Medium Intensity Obstruction Light

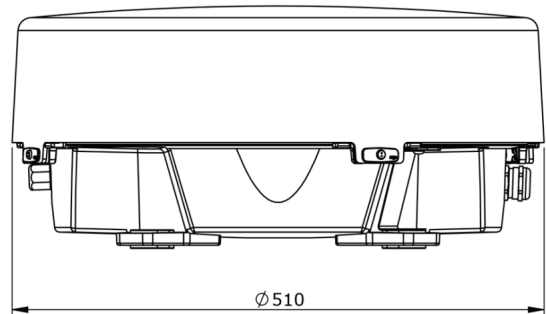
TWR

Enlightened Technology

FRONT VIEW



LEFT VIEW



BOTTOM VIEW

