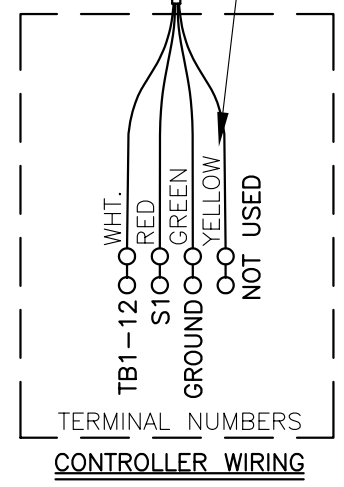
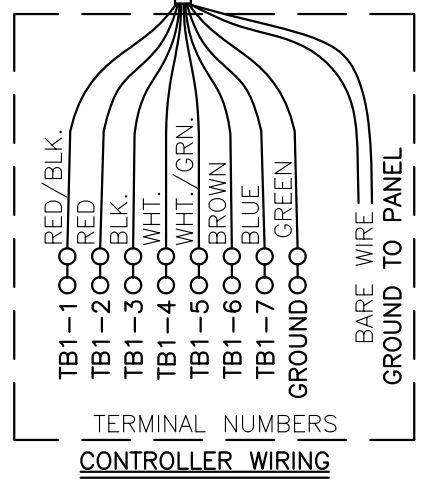
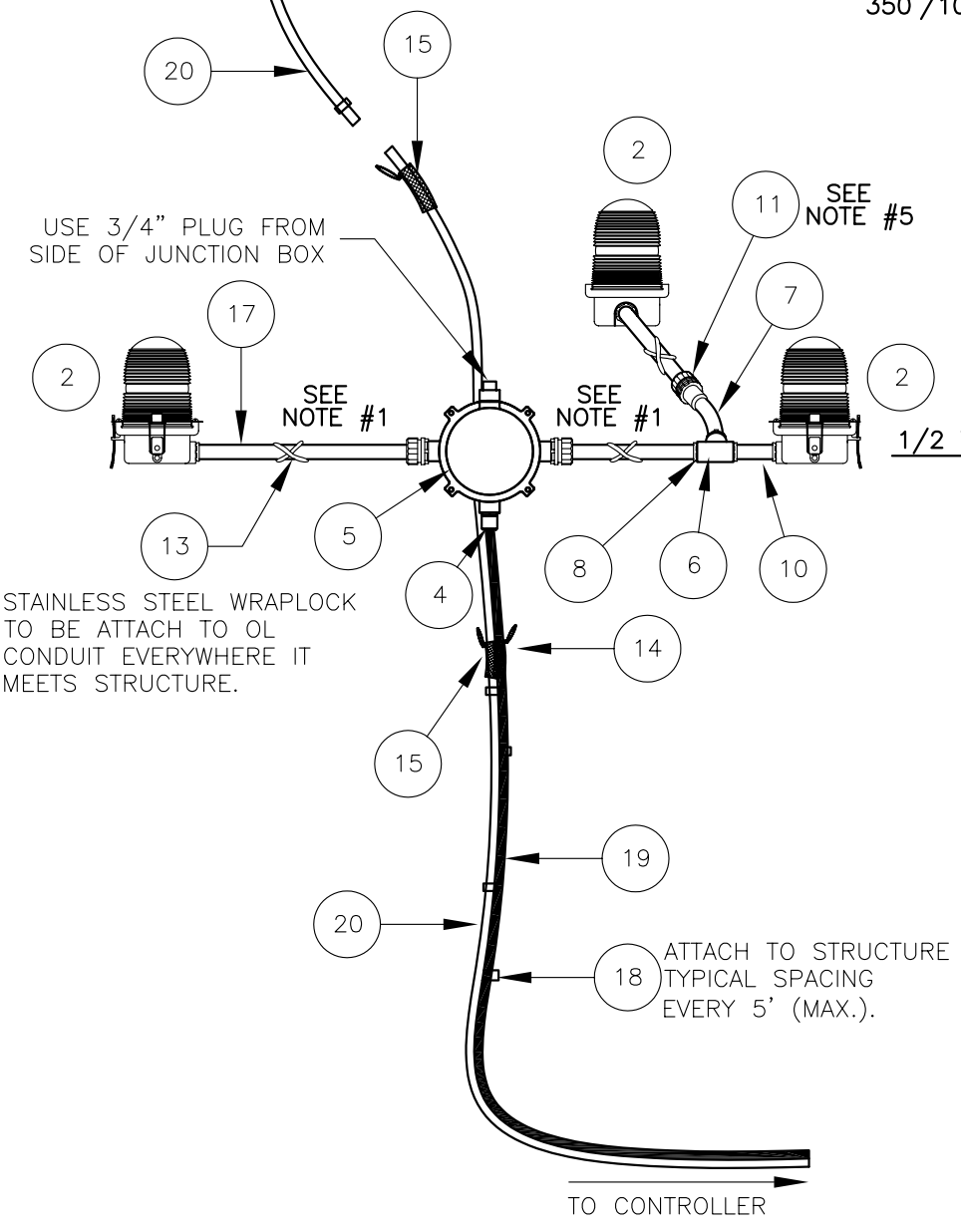


TOWER HT.
201'/61M (MIN.)
350'/107M (MAX.)



BILL OF MATERIALS

ITEM NO.	QTY.	TWR PART NO.	DESCRIPTION
1	1	STDBEACON	DUAL BEACON
2	3	OL1	3/4" OBSTRUCTION LIGHT
3	3	116A21TS	116 WATT 120 VOLT LAMP
4	1	CGB295SA	3/4" CORD CONNECTOR 0.50 - 0.625
5	1	JB5	3/4" JUNCTION BOX
6	1	T27CG	3/4" CONDULET W/COVER AND GASKET
7	1	EL3430	3/4" 30° ELBOW
8	3	A314	3/4" CONDUIT LOCKNUTS
9	1	PIPDOP	4 oz. PIPE DOPE
10	1	N34T3	3/4" x 3" NIPPLE
11	3	HC-402	3/4" NO THREAD CONNECTOR
12	3	SLPIGTAIL25	25' SIDELIGHT PIGTAIL
13	1	SS5012	STAINLESS STEEL WRAPLOCK 50'
14	1	CABLEGRIP1	SINGLE EYE LACE MESH 0.5 - 0.62
15	2	CABLEGRIP3	SINGLE EYE LACE MESH 0.63 - 0.74
16	1	STH40269	SINGLE DUAL BEACON CONTROLLER
17	30'	CONDUIT34	3/4" CONDUIT

ITEM NUMBERS #18-#20 ARE NOT INCLUDED IN THE KIT BUT ARE AVAILABLE UPON REQUEST, AND REQUIRED FOR INSTALLATION.

18	-	STCABLIE	STROBE CABLE TIES (TWR. HEIGHT +5 x 1.5)
19	-	STCABLEOB	OBSTRUCTION LIGHT CABLE(1/2 TWR. HT.+30')
20	-	STROBCABLE-3	STROBE CABLE (TWR. HT. + 30')

* = ITEMS NOT SHOWN
~ = ITEMS QUANTITY CALCULATED ACCORDING TO STRUCTURE HEIGHT.

NOTES:

- ITEM #17 CUT TO LENGTH FOR PROPER EXTENSION OF OL1 (6"-12") FROM STRUCTURE. ATTACH ITEM #11 TO UNTHREADED CONDUIT TO COMPLETE ASSEMBLY.
- MOUNT BEACON HINGE SO LENS WILL OPEN UNOBSTRUCTED BY STRUCTURE.
- ON AM TOWER APPLICATIONS, KEEP GROUND LUG FROM BEING CONNECTED TO EARTH GROUND. GROUND TO THE TOWER ONLY.
- THIS DRAWING IS PROVIDED AS A GENERAL REFERENCE. TWR LIGHTING, INC. DOCUMENTATION SUPERSEDES THIS DRAWING & SHOULD BE REVIEWED PRIOR TO INSTALLATION OF THIS SYSTEM.
- USE COUPLING THAT IS PROVIDED WITH ITEM #17.

LK1E1DB TOWER LIGHTING KIT CABLE RUN
(TOWERS 201'/61M TO 350'/107M/10' FACE WIDTH MAX)

TWR Lighting, Inc.

APP'D	ENGINEER	CHK'D BY
DRAWN BY E.A.SALAZAR	SHEET SIZE B	SHEET QTY. 1 OF 1
DATE 11/20/97	SCALE N.T.S.	DRAWING NO. 600

08/01/03 (E) CHG. WIRE CONNECTIONS
DATE: LTR. REVISION

NOTICE: This drawing is the property of TWR Lighting, Inc. All information contained herein that is not generally known shall be confidential except to the extent the information has been previously established. This drawing may not be reproduced, copied or used as the basis for manufacture or sale without written permission.