

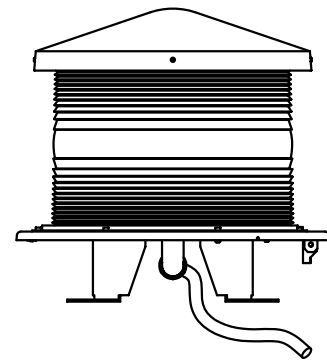
BILL OF MATERIALS

ITEM NO.	QTY.	TWR PART NO.	DESCRIPTION
1	1	STBEACON7	LVS STROBE BEACON
2	1	STH40283	D-1LVS (LOW VOLTAGE CONTROLLER)
3	-	STCABLTIE	PRT5EH-CO PANDUIT CABLE TIE (EVERY 5')
4	-	STROBCABLE2	6 CONDUCTOR CABLE (TWR HT. + 30'/9M)
5	2	CABLGRIP1	SINGLE EYE LACE MESH .5 - .62

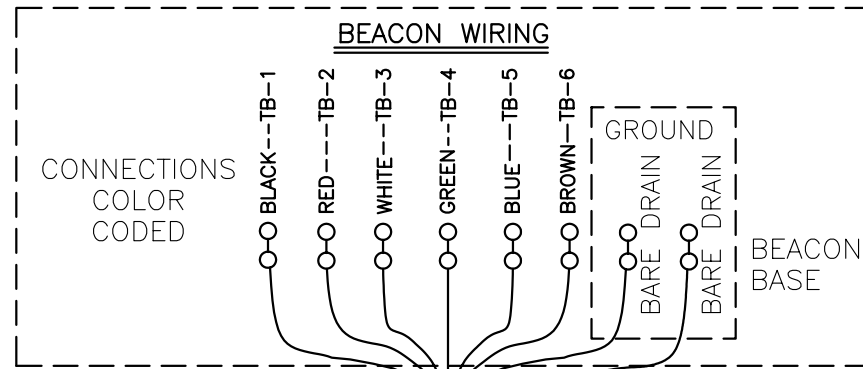
* = ITEMS NOT SHOWN

NOTES:

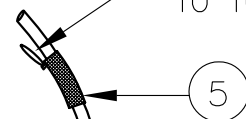
- 1) POWER SUPPLY IS NORMALLY MOUNTED AT EYE LEVEL ON TOWER. IT CAN ALSO BE MOUNTED INDOORS. RECOMMENDED MOUNTING HEIGHT IS 42" TO BOTTOM OF ENCLOSURE FOR EASE OF MAINTENANCE.
- 2) MOUNT BEACON HINGE SO LENS WILL OPEN UNOBSTRUCTED BY STRUCTURE.
- 3) ON AM TOWER APPLICATIONS, KEEP GROUND LUG FROM BEING CONNECTED TO EARTH GROUND.
- 4) STROBE CABLE IS TO BE FASTENED TO TOWER STRUCTURE W/PART NUMBER STCABLTIE.(ATTACH EVERY 5')
- 5) THIS DRAWING IS PROVIDED AS A GENERAL REFERENCE. TWR LIGHTING, INC. DOCUMENTATION SUPERCEEDS THIS DRAWING & SHOULD BE REVIEWED PRIOR TO INSTALLATION OF THIS SYSTEM.



1



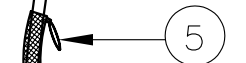
LOOP TO BE ATTACHED TO TOWER



5



4



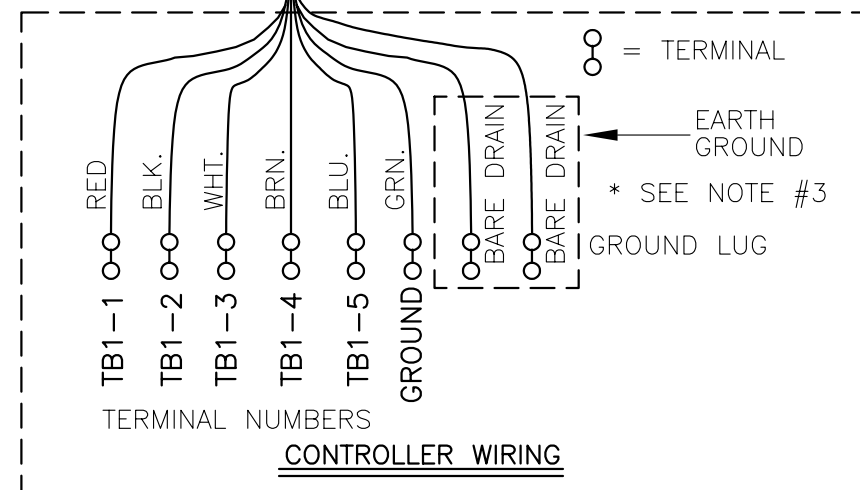
5

1/2 TOWER HT.

3

ATTACH TO TOWER
TYPICAL SPACING
EVERY 5'.

TO CONTROLLER



LK1D1LVS TOWER LIGHTING KIT
(CABLE RUN FOR 200'/61M TO 350'/107M TOWERS)

TWR Lighting, Inc.

APP'D	ENGINEER	CHK'D BY
DRAWN BY E.A.SALAZAR	SHEET SIZE B	SHEET QTY. 1 OF 1
DATE 12/07/98	SCALE N.T.S.	DRAWING NO. 500-12

12/30/98	(B)	CHG. TXT ON WIRE
12/16/98	(A)	CHG. CONTROLLER
DATE:	LTR.	REVISION

NOTICE: This drawing is the property of TWR Lighting, Inc. All information contained herein that is not generally known shall be confidential except to the extent the information has been previously established. This drawing may not be reproduced, copied or used as the basis for manufacture or sale without written permission.