

BILL OF MATERIALS

ITEM NO.	QTY.	TWR PART NO.	DESCRIPTION
1	3	BEACON	300 MM BEACON RED
2	6	620PS40P	620 WATT 120 VOLT LAMP
3	6	OL1	3/4" OBSTRUCTION LIGHT
4	6	116A21TS	116 WATT 120 VOLT LAMP
5	3	CGB295SA	3/4" CORD CONNECTOR
6	2	JB5	3/4" JUNCTION BOX
7	2	JB0	3/4" STRAIN RELIEF BOX
8	3	JB8	1" JUNCTION BOX
9	2	JB8SR	1" STRAIN RELIEF BOX
10	6	UNY205	3/4" UNION
11	5	UNY305	1" UNION
12	3	T27CG	3/4" CONDULET W/COVER AND GASKET
13	2	T37CG	1" CONDULET W/COVER AND GASKET
14	2	EL3490	3/4" 90° SHORT ELBOW
15	2	EL3430	3/4" 30° ELBOW
16	2	EL190	1" 90° ELBOW
17	3	5012902	3/4" BREATHER
18	2	SS10012	WRAPLOCK
* 19	2	PIPDOP	4 oz. PIPE DOPE
20	19	A314	3/4" CONDUIT LOCKNUTS
21	12	A315	1" CONDUIT LOCKNUT
22	2	RE32	1" TO 3/4" REDUCER
* 23	16	CPLG34	3/4" GALVANIZED COUPLING
24	8	N34T3	3/4" x 3" NIPPLE
25	6	N34T6	3/4" x 6" NIPPLE
26	6	N34T12	3/4" x 12" NIPPLE
27	6	N34T24	3/4" x 24" NIPPLE
28	4	N34T36	3/4" x 36" NIPPLE
29	6	SLPIGTAIL25	25' SIDELIGHT PIGTAIL
* 30	1	AA2/3_B	AA2/3_B CONTROLLER
31	-	CONDUIT34	3/4" CONDUIT (1/2 TOWER HT.)
32	-	CONDUIT1	1" CONDUIT (1/2 TOWER HT.+ 30'/9M)
33	-	6THHNWHT	#6 THHN WHT. WIRE (TOWER HT.+40'/12M)
34	-	6THHNWHT	#6 THHN WHT. WIRE (1/2 TWR HT.+40'/12M)
35	-	8THHNBLK	#8 THHN BLK. WIRE (TOWER HT.+40'/12M)
36	-	10THHNRED	#10 THHN RED WIRE (3/4 TWR HT.+40'/12M)
37	-	10THHNBLUE	#10 THHN BLUE. WIRE (1/2 TWR HT.+40'/12M)
38	-	10THHNBLUE	#10 THHN BLUE. WIRE (1/2 TWR HT.+40'/12M)
39	-	12THHNYLW	#12 THHN YLW. WIRE (1/4 TWR HT.+40'/12M)

ITEM NUMBERS #31-#39 ARE NOT INCLUDED IN THE KIT BUT ARE AVAILABLE UPON REQUEST, AND REQUIRED FOR INSTALLATION.

* = ITEMS NOT SHOWN

NOTES:

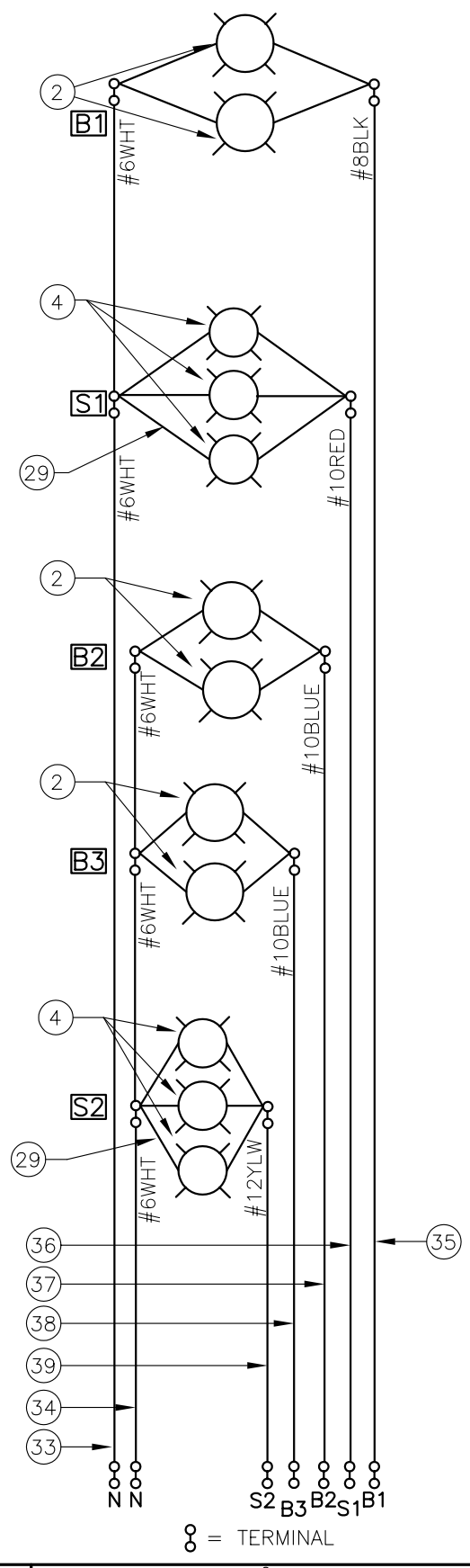
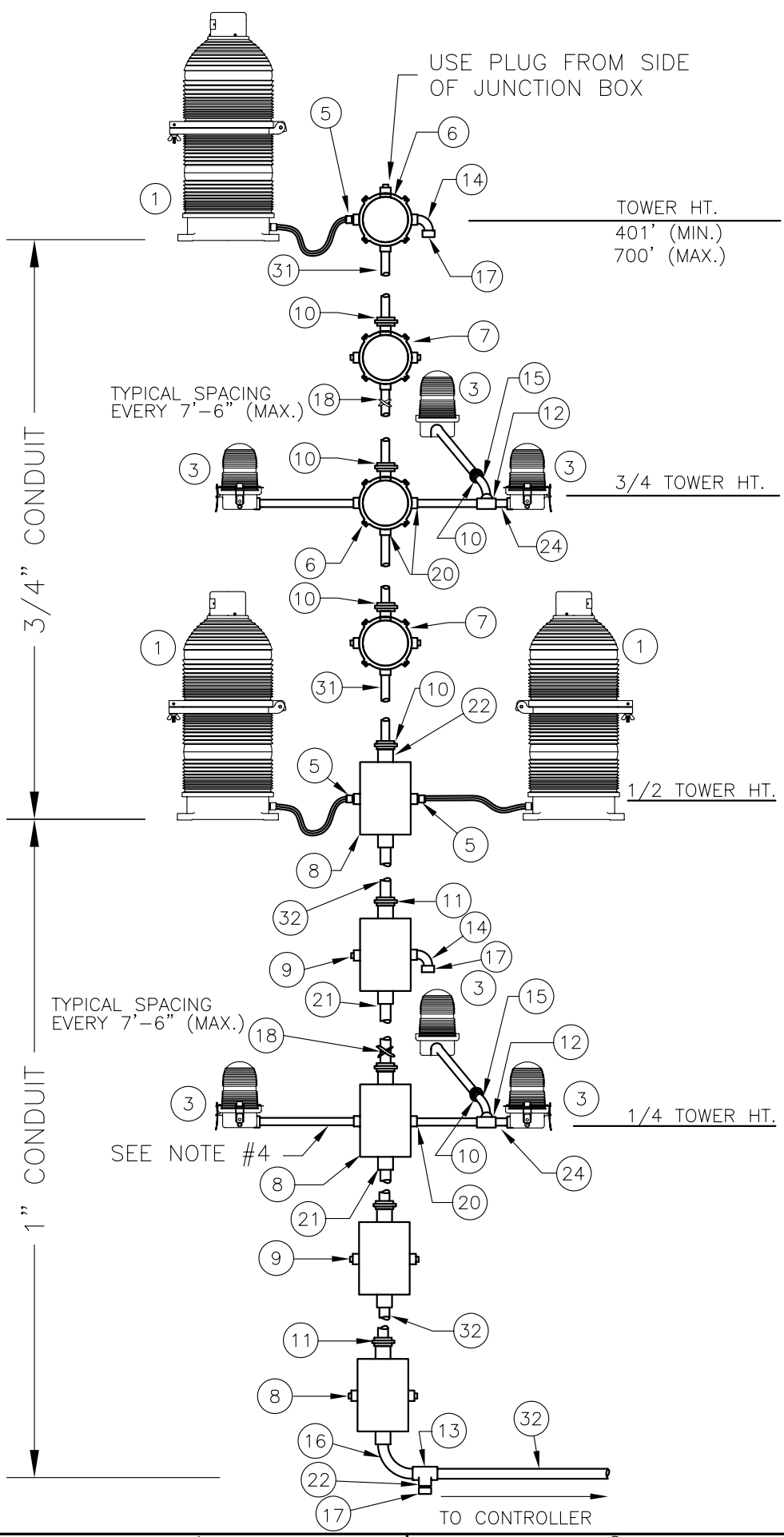
- 1) CONDUIT SIZE BASED ON USING TYPE THHN WIRE.
- 2) USE RIGID GALVANIZED STEEL CONDUIT.
- 3) BREATHERS ALLOW FOR CIRCULATION OF AIR TO PREVENT CONDENSATION.
- 4) ITEMS #24-#28 TO BE USED IN VARIOUS COMBINATIONS FOR OL1 RUN. EXTRA NIPPLES TO BE CUT TO FIT IF FACE WIDTH IS LARGER THAN 6'.
- 5) USE ITEM #23 TO COUPLE CONDUIT NIPPLES. APPROPRIATE OL1 EXTENSION IS 12".

LK3A2/3B TOWER LIGHT KIT W/BOOST
(TOWERS 401'/122M TO 700'/213M)

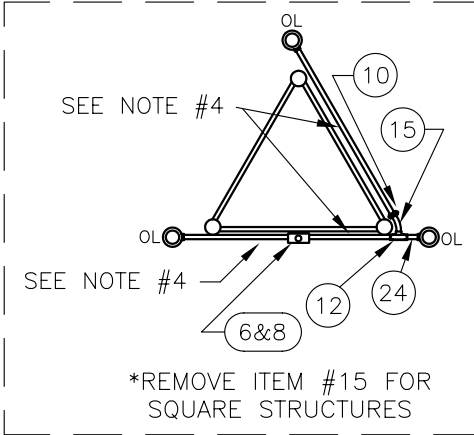
TWR Lighting, Inc.

APP'D	ENGINEER	CHK'D BY
DRAWN BY	E.A.SALAZAR	SHEET SIZE B SHEET QTY. 1 OF 1
DATE	07/29/98	SCALE N.T.S. DRAWING NO. 261-33B

NOTICE: This drawing is the property of TWR Lighting, Inc. All information contained herein that is not generally known shall be confidential except to the extent the information has been previously established. This drawing may not be reproduced, copied or used as the basis for manufacture or sale without written permission.



FOR MORE DETAIL REFER TO DRAWING 100188



*REMOVE ITEM #15 FOR SQUARE STRUCTURES

TOP VIEW FOR OL ARRANGEMENT (TYPICAL)