

BILL OF MATERIALS

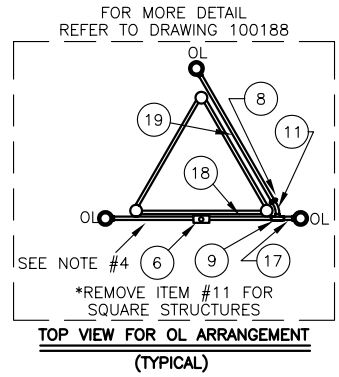
ITEM NO.	QTY.	TWR PART NO.	DESCRIPTION
1	1	BEACON	300 MM BEACON RED
2	2	620PS40P	620 WATT 120 VOLT LAMP
3	3	OL1	3/4" OBSTRUCTION LIGHT
4	3	116A21TS	116 WATT 120 VOLT LAMP
5	1	CGB295SA	3/4" CORD CONNECTOR
6	3	JB5	3/4" JUNCTION BOX
7	2	JB0	3/4" STRAIN RELIEF BOX
8	6	UNY205	3/4" UNION
9	2	T27CG	3/4" CONDULET W/COVER AND GASKET
10	2	EL3490	3/4" 90° SHORT ELBOW
11	1	EL3430	3/4" 30° ELBOW
12	2	5012902	3/4" BREATHER
13	1	SS10012	WRAPLOCK
14	1	PIPDOP	4 oz. PIPE DOPE
15	16	A314	3/4" CONDUIT LOCKNUTS
16	8	CPLG34	3/4" GALVANIZED COUPLING
17	4	N34T3	3/4" x 3" NIPPLE
18	3	N34T6	3/4" x 6" NIPPLE
19	3	N34T12	3/4" x 12" NIPPLE
20	3	N34T24	3/4" x 24" NIPPLE
21	2	N34T36	3/4" x 36" NIPPLE
22	3	SLPIGTAIL25	25' SIDELIGHT PIGTAIL
23	1	AA1	AA1 CONTROLLER
24	-	CONDUIT34	3/4" CONDUIT (TOWER HT. + 30'/9M)
25	-	6THHNWHT	#6 THHN WHT. WIRE (TOWER HT.+40'/12M)
26	-	6THHNBLK	#6 THHN BLK. WIRE (TOWER HT.+40'/12M)
27	-	12THHNRED	#12 THHN RED WIRE (1/2 TWR HT.+40'/12M)

ITEM NUMBERS #24-#27 ARE NOT INCLUDED IN THE KIT BUT ARE AVAILABLE UPON REQUEST, AND REQUIRED FOR INSTALLATION.

* = ITEMS NOT SHOWN

NOTES:

- 1) CONDUIT SIZE BASED ON USING TYPE THHN WIRE.
- 2) USE RIGID GALVANIZED STEEL CONDUIT.
- 3) BREATHERS ALLOW FOR CIRCULATION OF AIR TO PREVENT CONDENSATION.
- 4) ITEMS #17-#21 TO BE USED IN VARIOUS COMBINATIONS FOR OL1 RUN. EXTRA NIPPLES TO BE CUT TO FIT IF FACE WIDTH IS LARGER THAN 6".
- 5) USE ITEM #16 TO COUPLE CONDUIT NIPPLES. APPROPRIATE OL1 EXTENSION IS 12".



(NO BOOST)

LK4A1 TOWER LIGHTING KIT W/3 OL-1
(TOWERS 201'/61M TO 350'/107M)

TWR Lighting, Inc.

APP'D	ENGINEER	CHK'D BY
DRAWN BY	G.D.SFBEK	SHEET SIZE SHEET QTY.
DATE	3/5/94	B 1 OF 1
SCALE	N.T.S.	DRAWING NO.
		260-14

NOTICE: This drawing is the property of TWR Lighting, Inc. All information contained herein that is not generally known shall be confidential except to the extent the information has been previously established. This drawing may not be reproduced, copied or used as the basis for manufacture or sale without written permission.

04/24/96	(D)	REVISE B.O.M.
03/19/96	(C)	UPDATED B.O.M.
9/9/94	(B)	REWORK KIT PARTS
3/8/94	(A)	ADDED MATERIALS
DATE:	LTR.	REVISION

⊗ = TERMINAL